



ACCESSIBLE WASHROOM DESIGN GUIDELINES

This guide is for visual reference only. Please refer to the BC Building Code for complete requirements.

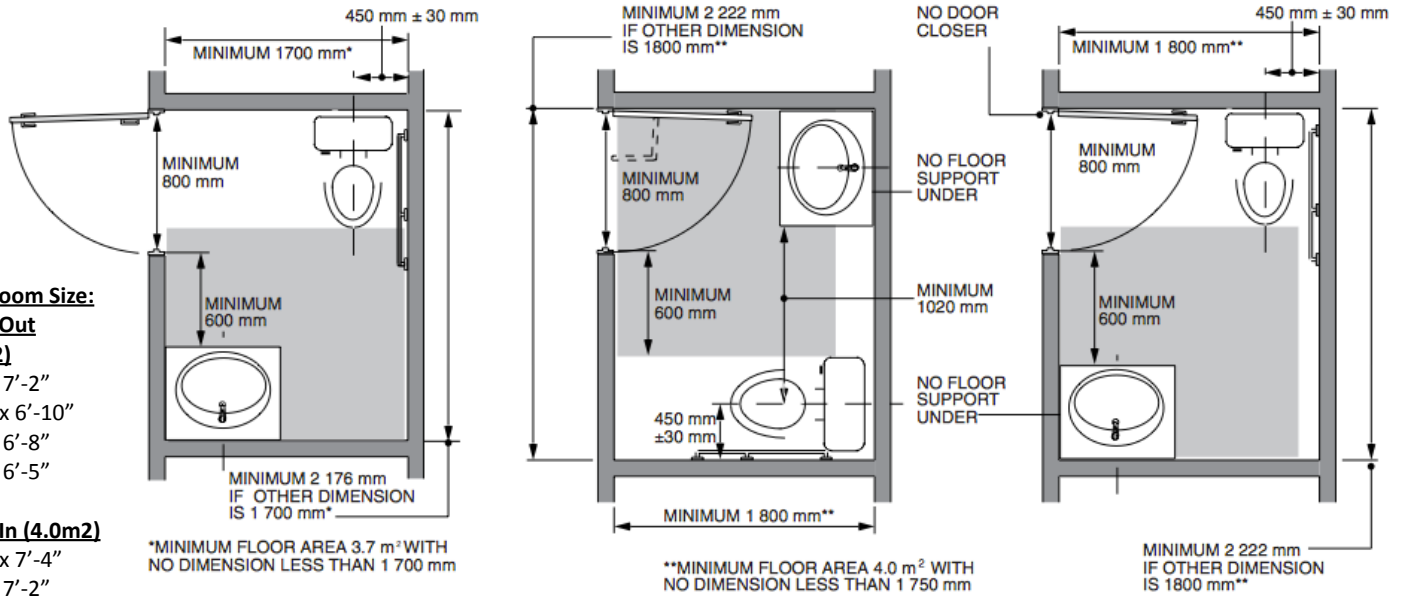
Min. Room Size:

Swing Out (3.7m²)

- 5'-7" x 7'-2"
- 5'-10" x 6'-10"
- 6'-0" x 6'-8"
- 6'-2" x 6'-5"

Swing In (4.0m²)

- 5'-11" x 7'-4"
- 6'-0" x 7'-2"
- 6'-2" x 7'-0"
- 6'-4" x 6'-10"

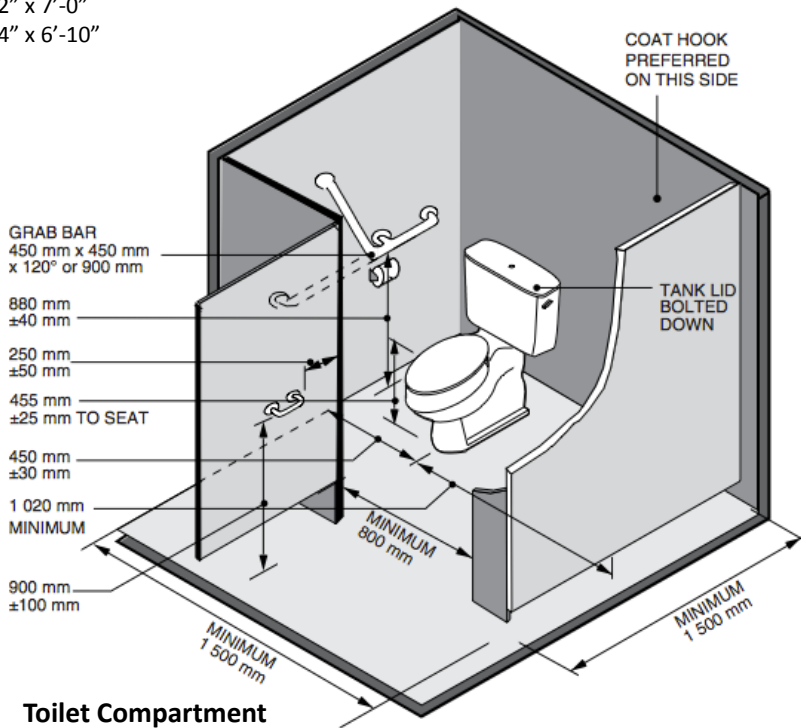


*MINIMUM FLOOR AREA 3.7 m² WITH NO DIMENSION LESS THAN 1 700 mm

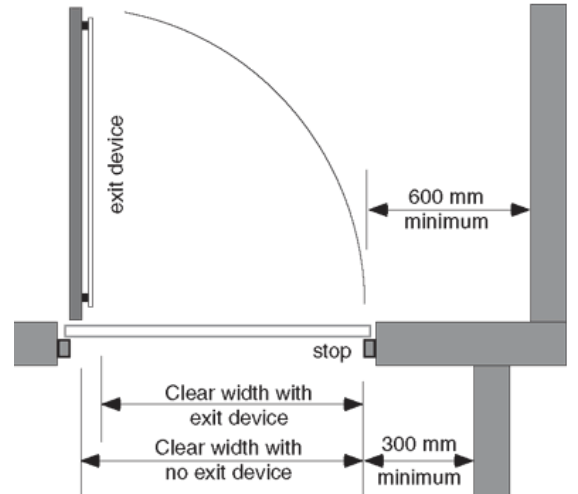
**MINIMUM FLOOR AREA 4.0 m² WITH NO DIMENSION LESS THAN 1 750 mm

MINIMUM 2 222 mm IF OTHER DIMENSION IS 1800 mm**

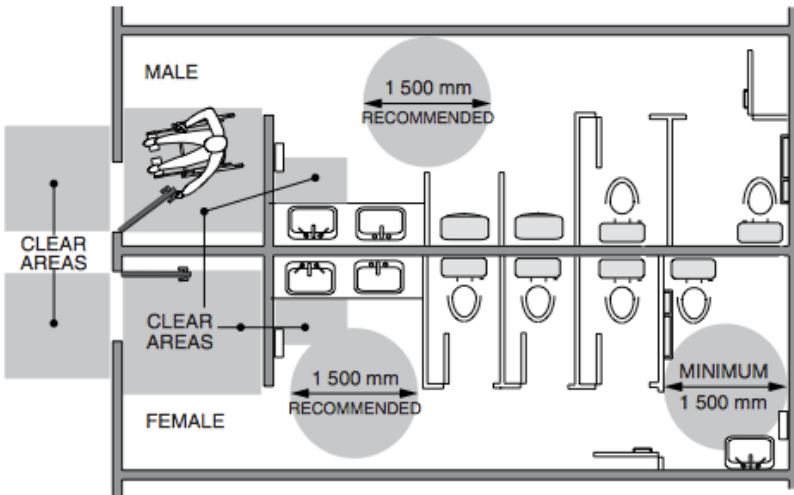
Suggested Toilet Room Layouts



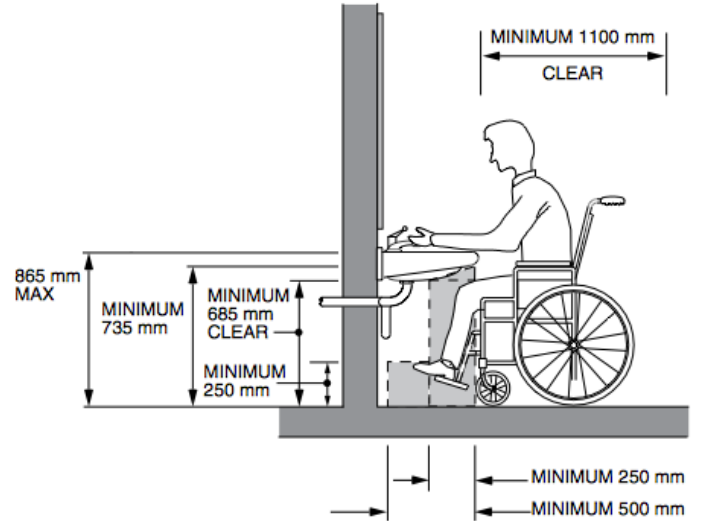
Toilet Compartment



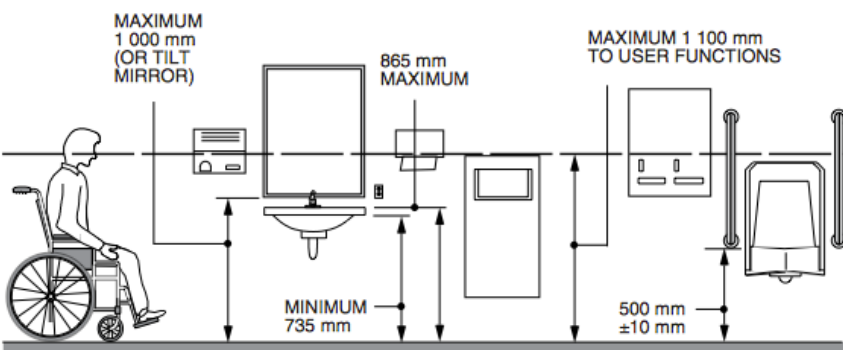
Clear Door Width and Latch Clearances



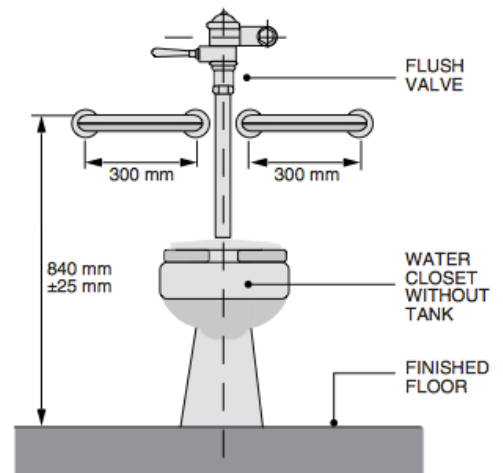
Washrooms



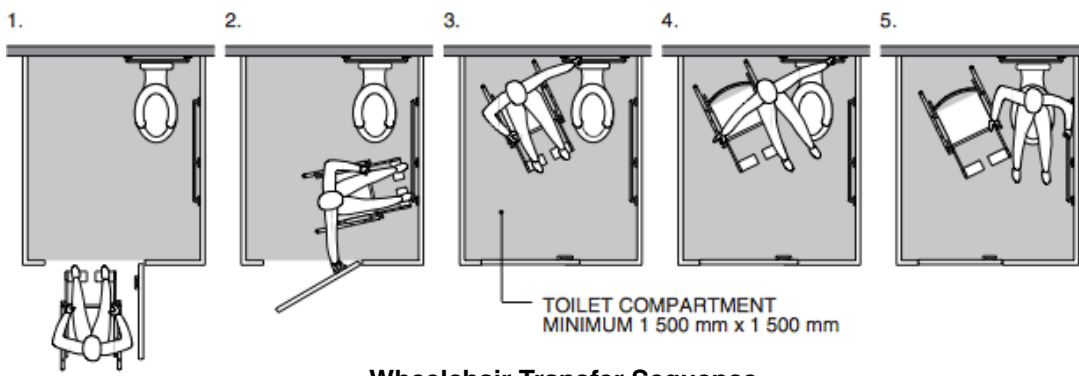
Clearance Under Wash Basin



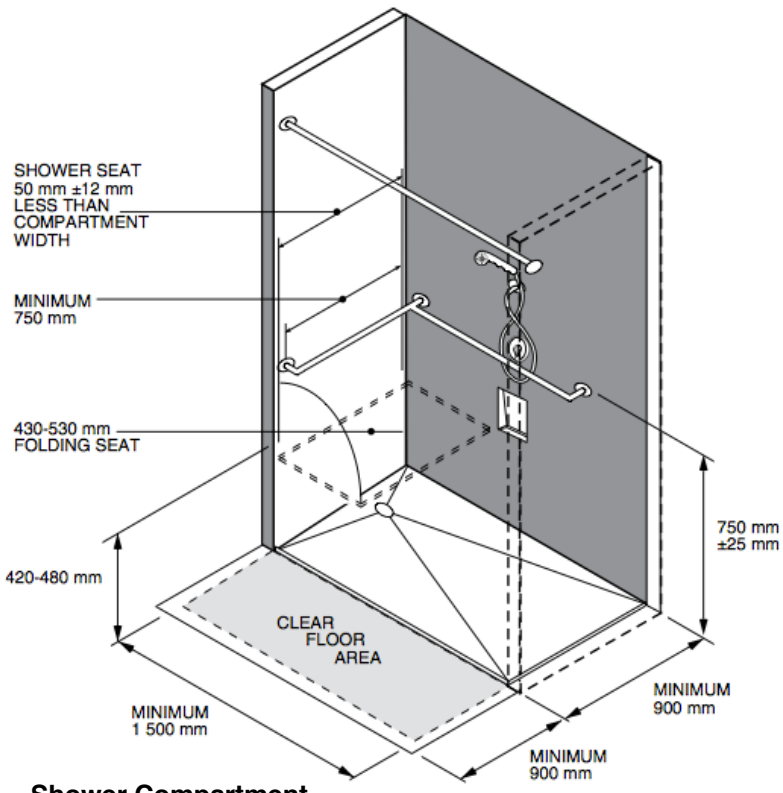
Washroom Accessories



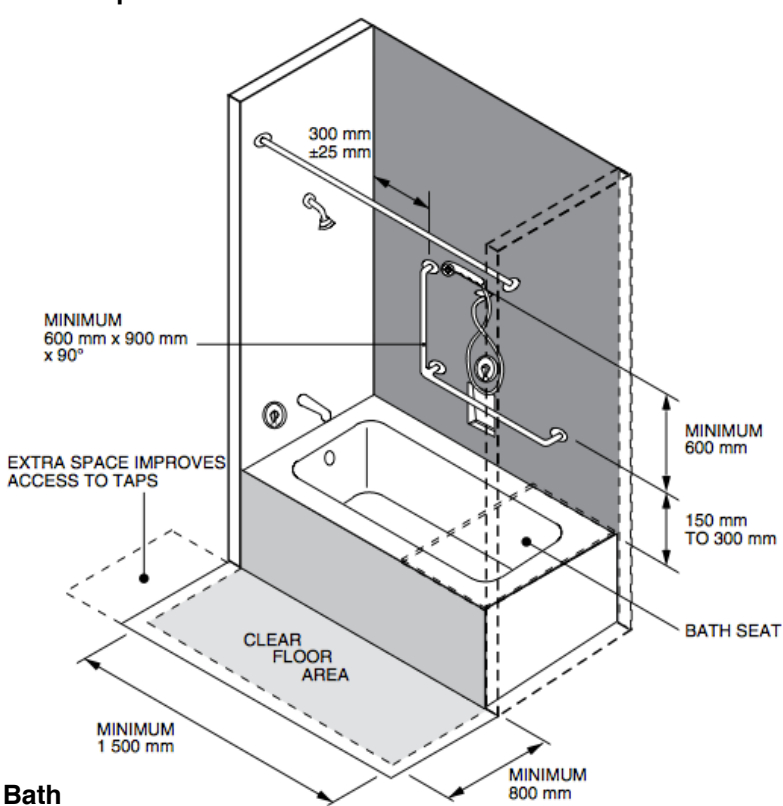
Grab Bars (Alternative)



Wheelchair Transfer Sequence



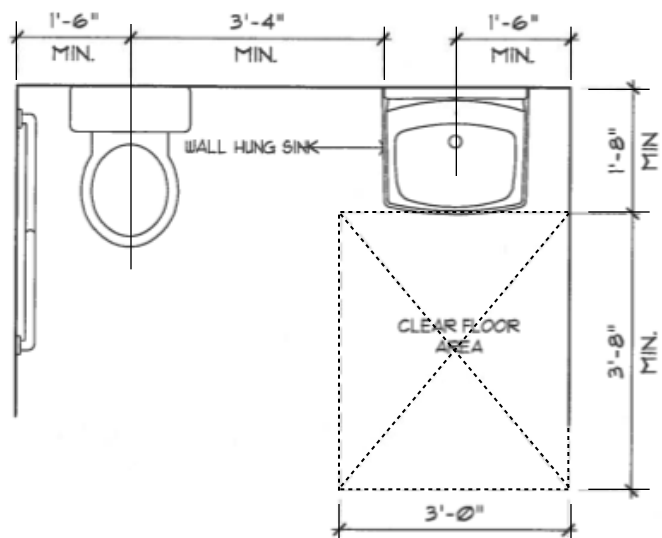
Shower Compartment



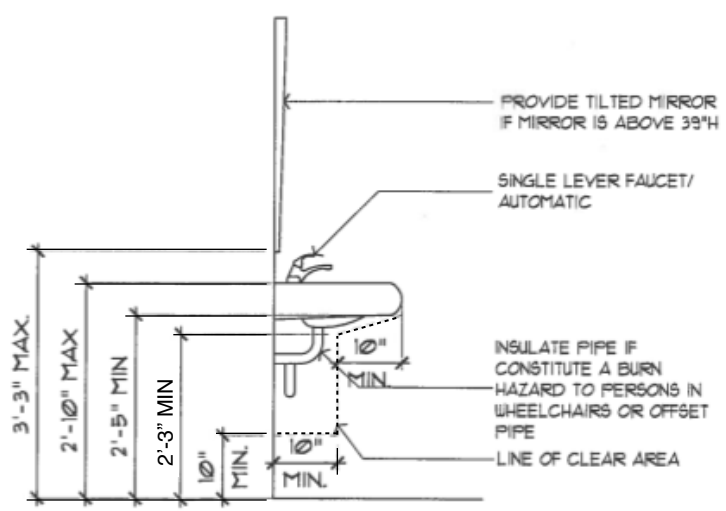
Bath



Faucets shall operate automatically or have lever type handles that do not close under spring action. Faucets must be operable without tight grasping, pinching or twisting of the wrist.

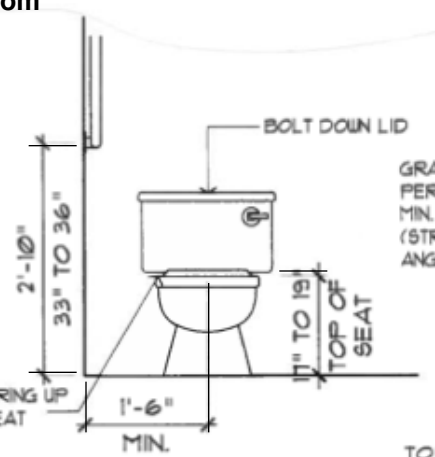


Accessible Washroom

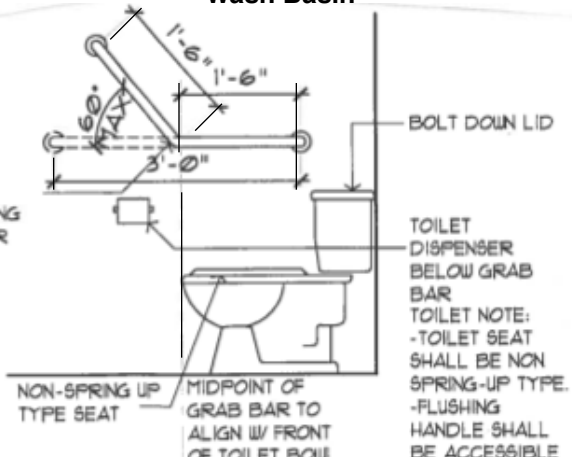


Wash Basin

GRAB BAR NOTE:
-NOT LESS THAN 1-1/4" OR MORE THAN 1-1/2" IN DIAMETER
-INSTALLED W/ CLEARANCE BETWEEN 138" AND 171" FROM THE WALL
-DESIGNED AND INSTALLED TO WITHSTAND A LOAD OF NOT LESS THAN 13 KN



FRONT ELEVATION



SIDE ELEVATION

Tank-Type Water Closet

Washroom signage:
Provide international symbol of accessibility at exterior of door